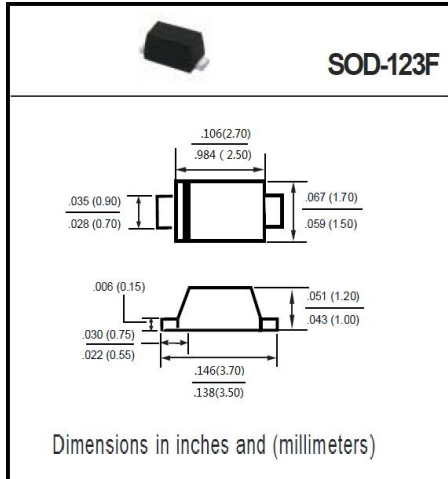


表面安装肖特基二极管  
反向电压50 --- 150 V  
正向电流2.0A

Surface Mount Schottky Barrier Rectifiers  
Reverse Voltage 50 to 150 V  
Forward Current 2.0A



## 特征 Features

- 大电流承受能力。High Current Capability
- 正向压降低。Low Forward Voltage Drop
- 高温焊接保证 260°C/10秒 High temperature soldering guaranteed: 260°C/10 seconds at terminals
- 引线 and 管体皆符合 RoHS 标准。Lead and body according with RoHS standard

## 机械数据 Mechanical Data

- 封装: 塑料封装 Case: Molded plastic body
- 端子: 焊料被镀 Terminals: Solder plated
- 极性: 色环端为负极 Polarity: Color band denotes cathode end
- 安装位置: 任意 Mounting Position: Any

极限值和温度特性  $T_A = 25^\circ\text{C}$  除非另有规定。

**Maximum Ratings & Thermal Characteristics** Ratings at  $25^\circ\text{C}$  ambient temperature unless otherwise specified.

	Symbols	SS22L	SS24L	SS26L	SS28L	SS210L	SS215L	SS220L	Unit
最大峰值反向电压 Maximum repetitive peak reverse voltage	$V_{RRM}$	20	40	60	80	100	150	200	V
最大反向有效值电压 Maximum RMS voltage	$V_{RMS}$	14	28	42	56	70	104	140	V
最大直流阻断电压 Maximum DC blocking voltage	$V_{DC}$	20	40	60	80	100	150	200	V
最大正向平均整流电流 Maximum average forward rectified current	$I_{F(AV)}$	2.0							A
正向峰值浪涌电流 8.3ms 单一正弦半波 Peak forward surge current 8.3 ms single half sine-wave	$I_{FSM}$	40							A
典型热阻 Typical thermal resistance	$R_{\theta JA}$	60							$^\circ\text{C}/\text{W}$
工作结温和存储温度 Operating junction and storage temperature range	$T_J, T_{STG}$	-55---+125							$^\circ\text{C}$

电特性  $T_A = 25^\circ\text{C}$  除非另有规定。

**Electrical Characteristics** Ratings at  $25^\circ\text{C}$  ambient temperature unless otherwise specified.

	Symbols	SS22L	SS24L	SS26L	SS28L	SS210L	SS215L	SS220L	Unit
最大正向电压 $I_F = 2.0\text{A}$ Maximum forward voltage	$V_F$	0.50	0.70	0.85	0.95				V
最大反向漏电流 $T_A = 25^\circ\text{C}$ Maximum reverse current	$I_R$	0.50							mA
典型结电容 $V_R = 4.0\text{V}, f = 1\text{MHz}$ Type junction capacitance	$C_J$	210							pF

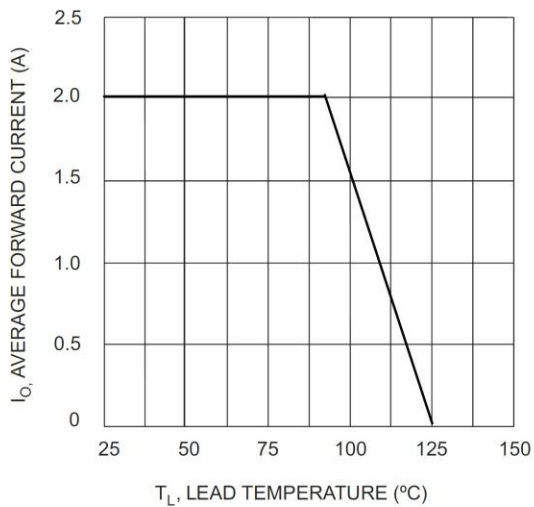


Fig. 1 Forward Current Derating Curve

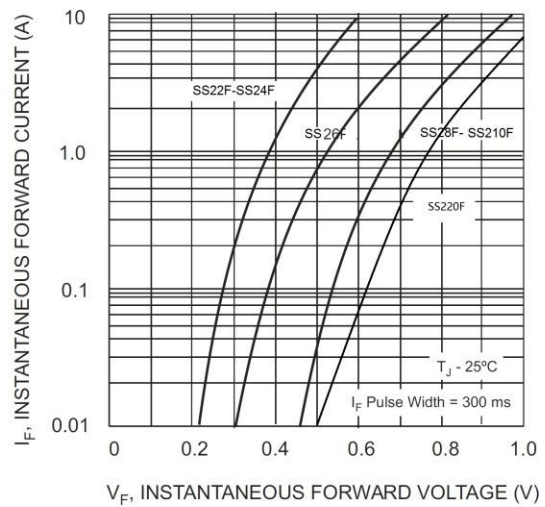


Fig. 2 Typical Forward Characteristics

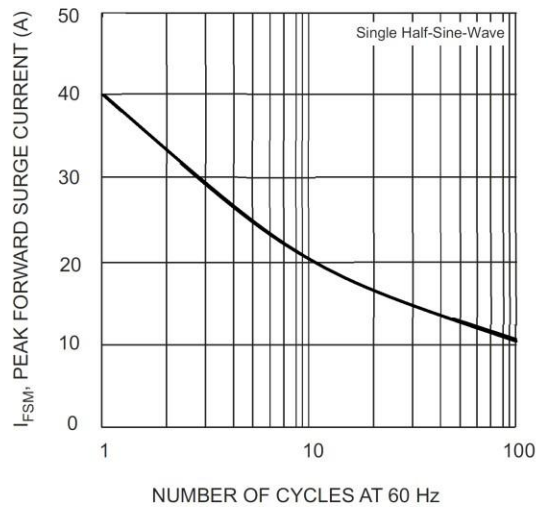
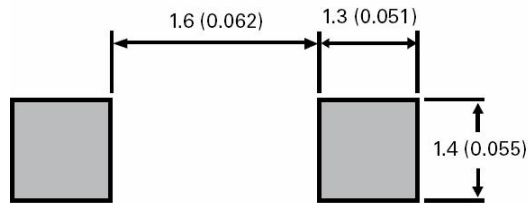


Fig. 3 Max Non-Repetitive Peak Forward Surge Current

## Mounting Pad Layout



## Packing

Part number	Component Package	Quantity	Packaging Option
SS22L-SS220L	SOD-123F	3000	Tape & Reel – 8mm/7" tape
		10000	Tape & Reel – 8mm/13" tape

## Tape and Reel Specification

