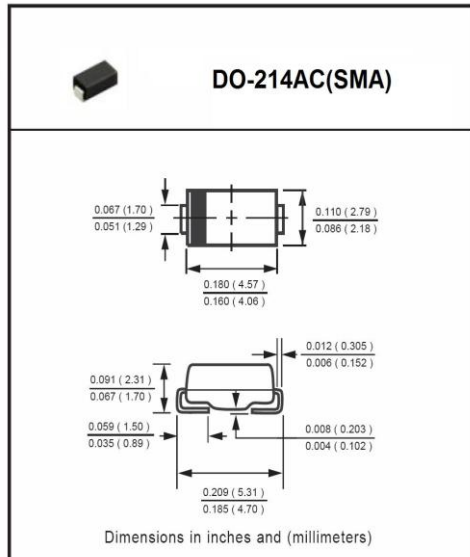


表面安装肖特基二极管  
反向电压 20 --- 100 V  
正向电流 2.0A

Surface Mount Schottky Barrier Rectifiers  
Reverse Voltage 20 to 100 V  
Forward Current 2.0 A



## 特征 Features

- 大电流承受能力。High Current Capability
- 正向压降低。Low Forward Voltage Drop
- 高温焊接保证 260°C/10 秒 High temperature soldering guaranteed: 260°C/10seconds at terminals
- 引线 and 管体皆符合 RoHS 标准。Lead and body according with RoHS standard

## 机械数据 Mechanical Data

- 封装: 塑料封装 Case: Molded plastic body
- 端子: 焊料被镀 Terminals: Solder plated
- 极性: 色环端为负极 Polarity: Color band denotes cathode end
- 安装位置: 任意 Mounting Position: Any

极限值和温度特性  $T_A = 25^\circ\text{C}$  除非另有规定。

**Maximum Ratings & Thermal Characteristics** Ratings at 25°C ambient temperature unless otherwise specified.

	Symbols	SS22A	SS23A	SS24A	SS25A	SS26A	SS28A	SS210A	SS215A	SS220A	Unit
最大峰值反向电压 Maximum repetitive peak reverse voltage	$V_{RRM}$	20	30	40	50	60	80	100	150	200	V
最大反向有效值电压 Maximum RMS voltage	$V_{RMS}$	14	21	28	35	42	56	70	105	140	V
最大直流阻断电压 Maximum DC blocking voltage	$V_{DC}$	20	30	40	50	60	80	100	150	200	V
最大正向平均整流电流 Maximum average forward rectified current	$I_{F(AV)}$	2.0									A
正向峰值浪涌电流 8.3ms 单一正弦半波 Peak forward surge current 8.3 ms single half sine-wave	$I_{FSM}$	50									A
典型热阻 Typical thermal resistance	$R_{\theta JA}$	75									$^\circ\text{C/W}$
工作结温和存储温度 Operating junction and storage temperature range	$T_J, T_{STG}$	-50---+150									$^\circ\text{C}$

电特性  $T_A = 25^\circ\text{C}$  除非另有规定。

**Electrical Characteristics** Ratings at 25°C ambient temperature unless otherwise specified.

	Symbols	SS22A	SS23A	SS24A	SS25A	SS26A	SS28A	SS210A	SS215A	SS220A	Unit
最大正向电压 $I_F = 2.0A$ Maximum forward voltage	$V_F$	0.5			0.7		0.85		0.90		V
最大反向漏电流 $T_A = 25^\circ\text{C}$ Maximum reverse current	$I_R$	0.5									mA
典型结电容 $V_R = 4.0V, f = 1\text{MHz}$ Type junction capacitance	$C_J$	45									pF

## 特性曲线 CHARACTERISTIC CURVES

图1: 正向电流降额曲线  
FIG.1: FORWARD CURRENT DERATING CURVE

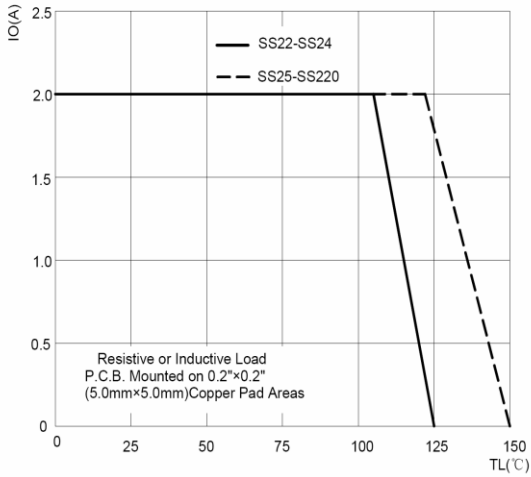


图2: 最大正向浪涌冲击耐受力  
FIG.2: MAXIMUM NON-REPETITIVE FORWARD URGE CURRENT

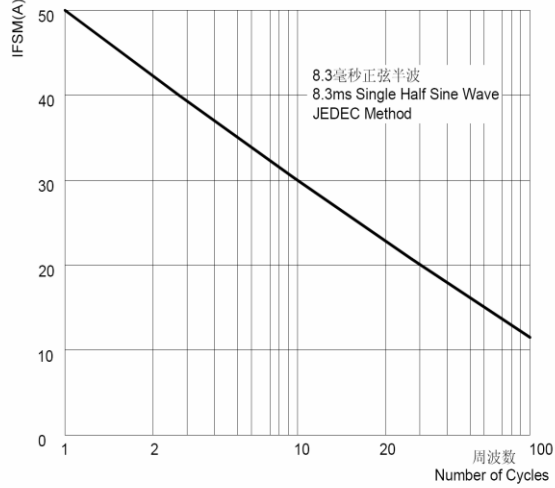


图3: 典型正向特性曲线  
FIG.3: TYPICAL FORWARD CHARACTERISTICS

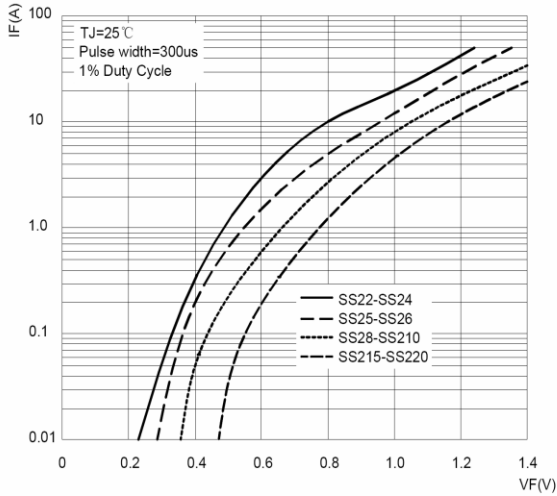
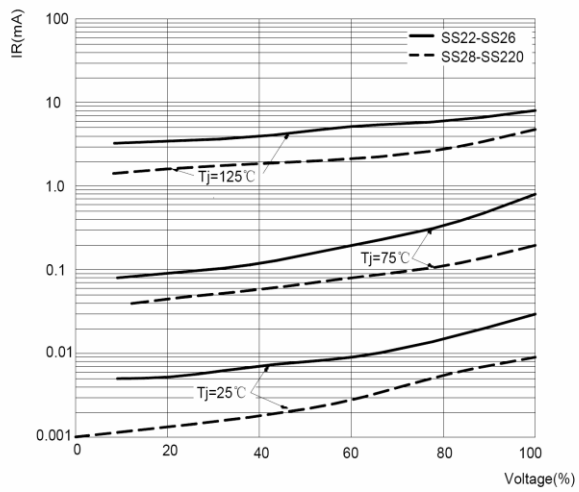
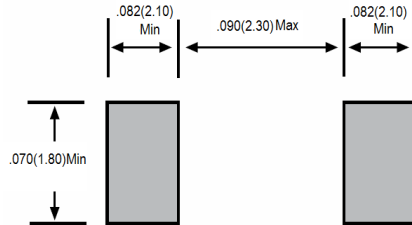


图4: 典型反向特性曲线  
FIG.4: TYPICAL REVERSE CHARACTERISTICS



### Mounting Pad Layout



### Packing

Part number	Component Package	Quantity	Packaging Option
SS22A-SS220A	DO-214AC SMA	5000	Tape & Reel – 12mm/13” tape

### Tape and Reel Specification

